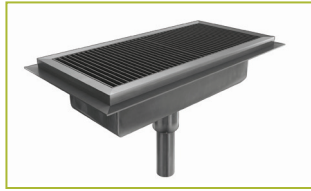


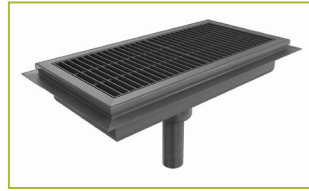
QUICK REFERENCE GUIDE



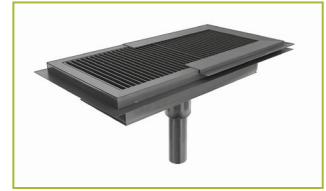
FWT



FT



FTAS



FTSEC



FTS



FTDP



FTD

GENERAL INFORMATION

Project Name: _____
Item: _____
Quantity: _____
Model: _____ FWT _____
Length: _____

GENERAL SPECIFICATION

Materials

- 14-Gauge Brushed Finish Type 304 Stainless
- 6" Diameter Box Pattern Stainless Drain
- Removable Perforated Stainless Basket
- Stainless Steel Grating

Construction

- NSF Standard 2 Construction
- Covered Corner Pan
- True Positive Pitch Toward Drain
- 3-15/16" I.D. 6" Long Stainless Tailpiece

TROUGH MATERIAL OPTIONS

- 12-Gauge Brushed Finish Stainless
- Type 316 Stainless

TROUGH FINISH OPTIONS

- Sand Blast
- Mirror Polished

GRATE TYPE OPTIONS

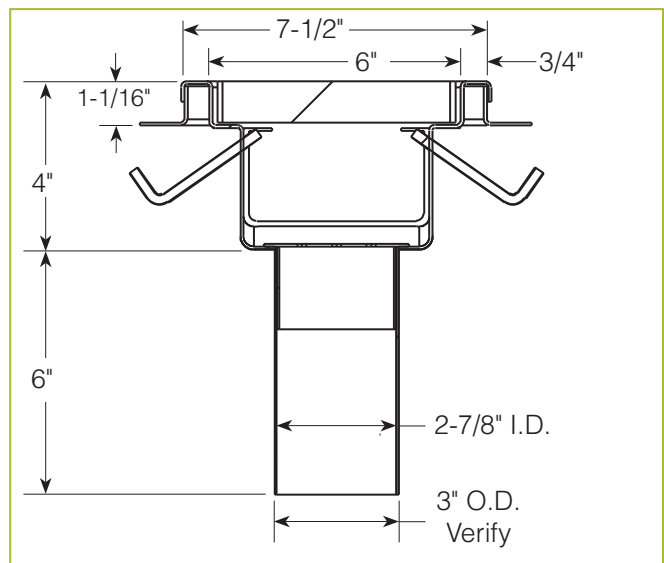
- 1/8" x 1" Stainless Subway Grate
- 3/16" x 1" Stainless Subway Grate
- 1/4" x 1" Stainless Subway Grate
- Anti-Slip Fiberglass Grating
- Custom Bar Centerlines: Dimensions _____
- Type 316 Stainless

MODELS AND DIMENSIONS

Sizes WxL	24"	36"	48"	60"	72"	84"	96"	108"	120"
7-1/2"	FWT-724	FWT-736	FWT-748	FWT-760	FWT-772	FWT-784	FWT-796	FWT-7108	FWT-7120

FWT

Extended Walk-In/Ice-Machine Drain



OTHER OPTIONS

- Off-Center Drain
- Extended Drain Pan Without Grate (see model FTDP)
- 1/4" Stainless Rod J-Anchors Around Trough Exterior

* Approval Drawings Required

GENERAL INFORMATION

Project Name: _____
Item: _____
Quantity: _____
Model: _____ FT
Length: _____

GENERAL SPECIFICATION

Materials

- 14-Gauge Brushed Finish Type 304 Stainless
- 6" Diameter Box Pattern Stainless Drain
- Removable Perforated Stainless Basket
- 1/8" x 1" Type 304 Stainless Subway Grate with 3/8" Stainless Reinforcement Rods (minimum of 2)

Construction

- NSF Standard 2 Construction
- Coved Corner Pan
- True Positive Pitch Toward Drain
- 3-15/16" I.D. 6" Long Stainless Tailpiece
- Maximum Gap Between Grate Bars of 13/16"
- Maximum Space Between Reinforcement Rods of 6"

TROUGH MATERIAL OPTIONS

- 12-Gauge Brushed Finish Stainless
- Type 316 Stainless

TROUGH FINISH OPTIONS

- Sand Blast
- Mirror Polished

GRATE TYPE OPTIONS

- 3/16" x 1" Stainless Subway Grate
- 1/4" x 1" Stainless Subway Grate
- Anti-Slip Fiberglass Grating
- Custom Bar Centerlines: Dimensions _____
- Type 316 Stainless

MODELS AND DIMENSIONS

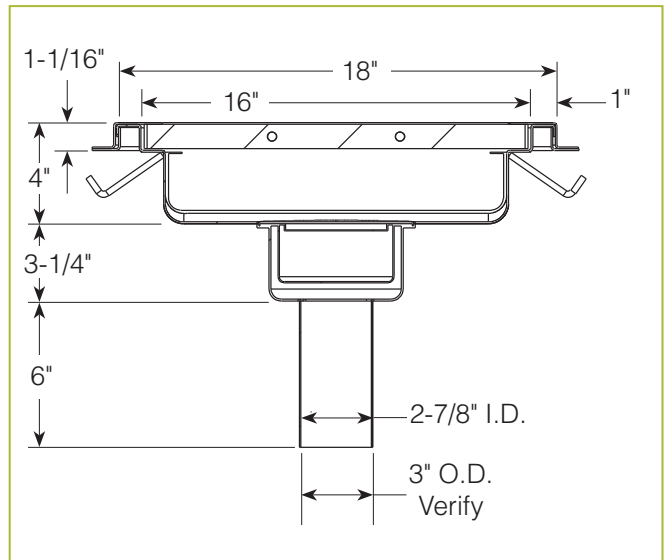
Sizes WxL	24"	36"	48"	60"	72"	84"	96"	108"	120"
12"	FT-1224	FT-1236	FT-1248	FT-1260	FT-1270	FT-1284	FT-1296	FT-12108	FT-12120
18"	FT-1824	FT-1836	FT-1848	FT-1860	FT-1872	FT-1884	FT-1884	FT-18108	FT-18120
24"	FT-2424	FT-2436	FT-2448	FT-2460	FT-2472	FT-2484	FT-2484	FT-24108	FT-24120
30"	FT-3024	FT-3036	FT-3048	FT-3060	FT-3072	FT-3084	FT-3084	FT-30108	FT-30120

* Approval Drawings Required

Specifications subject to change without notice.

FT

Floor Trough



OTHER OPTIONS

- Off-Center Drain
- Extended Drain Pan Without Grate (see model FTDP)
- 1/4" Stainless Rod J-Anchors Around Trough Exterior

GENERAL INFORMATION

Project Name: _____
Item: _____
Quantity: _____
Model: FTAS
Length: _____

GENERAL SPECIFICATION

Materials

- 14-Gauge Brushed Finish Type 304 Stainless
- 6" Diameter Box Pattern Stainless Drain
- Removable Perforated Stainless Basket
- 1/8" x 1" Type 304 Stainless Subway Grate with 3/8" Stainless Reinforcement Rods (minimum of 2)

Construction

- NSF Standard 2 Construction
- Coved Corner Pan
- True Positive Pitch Toward Drain
- 3-15/16" I.D. 6" Long Stainless Tailpiece
- Maximum Gap Between Grate Bars of 13/16"
- Maximum Space Between Reinforcement Rods of 6"

TROUGH MATERIAL OPTIONS

- 12-Gauge Brushed Finish Stainless
- Type 316 Stainless

TROUGH FINISH OPTIONS

- Sand Blast
- Mirror Polished

GRATE TYPE OPTIONS

- 3/16" x 1" Stainless Subway Grate
- 1/4" x 1" Stainless Subway Grate
- Anti-Slip Fiberglass Grating
- Custom Bar Centerlines: Dimensions _____
- Type 316 Stainless

MODELS AND DIMENSIONS

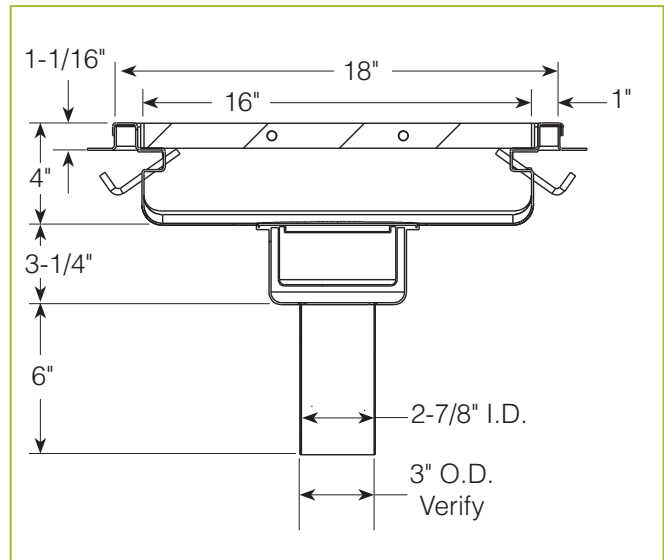
Sizes WxL	24"	36"	48"	60"	72"	84"	96"	108"	120"
12"	FTAS-1224	FTAS-1236	FTAS-1248	FTAS-1260	FTAS-1270	FTAS-1284	FTAS-1296	FTAS-12108	FTAS-12120
18"	FTAS-1824	FTAS-1836	FTAS-1848	FTAS-1860	FTAS-1872	FTAS-1884	FTAS-1884	FTAS-18108	FTAS-18120
24"	FTAS-2424	FTAS-2436	FTAS-2448	FTAS-2460	FTAS-2472	FTAS-2484	FTAS-2484	FTAS-24108	FTAS-24120
30"	FTAS-3024	FTAS-3036	FTAS-3048	FTAS-3060	FTAS-3072	FTAS-3084	FTAS-3084	FTAS-30108	FTAS-30120

* Approval Drawings Required

Specifications subject to change without notice.

FTAS

Anti-Splash Floor Trough



OTHER OPTIONS

- Off-Center Drain
- Extended Drain Pan Without Grate (see model FTDP)
- 1/4" Stainless Rod J-Anchors Around Trough Exterior

GENERAL INFORMATION

Project Name: _____
Item: _____
Quantity: _____
Model: FTSEC _____
Length: _____

GENERAL SPECIFICATION

Materials

- 14-Gauge Brushed Finish Type 304 Stainless
- 6" Diameter Box Pattern Stainless Drain
- Removable Perforated Stainless Basket
- 1/8" x 1" Type 304 Stainless Subway Grate with 3/8" Stainless Reinforcement Rods (minimum of 2)

Construction

- NSF Standard 2 Construction
- Coved Corner Pan
- True Positive Pitch Toward Drain
- 3-15/16" I.D. 6" Long Stainless Tailpiece
- Maximum Gap Between Grate Bars of 13/16"
- Maximum Space Between Reinforcement Rods of 6"

TROUGH MATERIAL OPTIONS

- 12-Gauge Brushed Finish Stainless
- Type 316 Stainless

TROUGH FINISH OPTIONS

- Sand Blast
- Mirror Polished

GRATE TYPE OPTIONS

- 3/16" x 1" Stainless Subway Grate
- 1/4" x 1" Stainless Subway Grate
- Anti-Slip Fiberglass Grating
- Custom Bar Centerlines: Dimensions _____
- Type 316 Stainless

MODELS AND DIMENSIONS

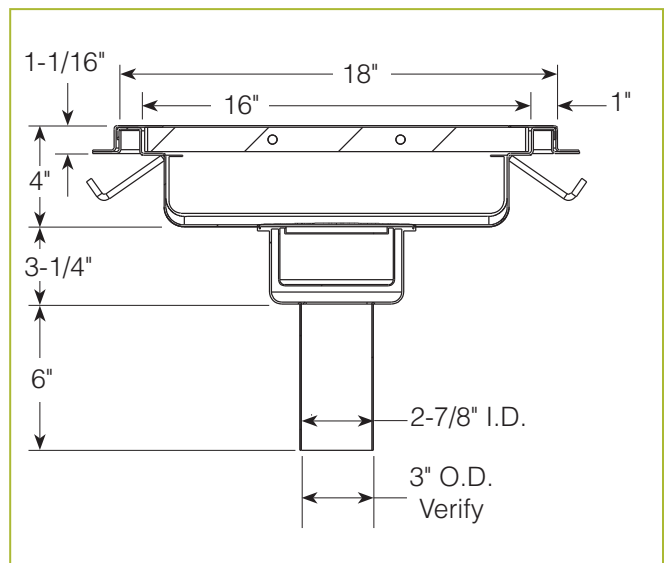
Sizes WxL	24"	36"	48"	60"	72"	84"	96"	108"	120"
12"	FTSEC-1224	FTSEC-1236	FTSEC-1248	FTSEC-1260	FTSEC-1270	FTSEC-1284	FTSEC-1296	FTSEC-12108	FTSEC-12120
18"	FTSEC-1824	FTSEC-1836	FTSEC-1848	FTSEC-1860	FTSEC-1872	FTSEC-1884	FTSEC-1884	FTSEC-18108	FTSEC-18120
24"	FTSEC-2424	FTSEC-2436	FTSEC-2448	FTSEC-2460	FTSEC-2472	FTSEC-2484	FTSEC-2484	FTSEC-24108	FTSEC-24120
30"	FT-SEC3024	FTSEC-3036	FTSEC-3048	FTSEC-3060	FTSEC-3072	FTSEC-3084	FTSEC-3084	FTSEC-30108	FTSEC-30120

* Approval Drawings Required

Specifications subject to change without notice.

FTSEC

Security Floor Trough with Locking Grate



OTHER OPTIONS

- Off-Center Drain
- Extended Drain Pan Without Grate (see model FTDP)
- 1/4" Stainless Rod J-Anchors Around Trough Exterior

GENERAL INFORMATION

Project Name: _____
 Item: _____
 Quantity: _____
 Model: _____ FTS
 Length: _____

GENERAL SPECIFICATION

Materials

- 14-Gauge Brushed Finish Type 304 Stainless
- 6" Diameter Box Pattern Stainless Drain
- Removable Perforated Stainless Basket
- 1/8" x 1" Type 304 Stainless Subway Grate with 3/8" Stainless Reinforcement Rods (minimum of 2)

Construction

- NSF Standard 2 Construction
- Coved Corner Pan
- True Positive Pitch Toward Drain
- 3-15/16" I.D. 6" Long Stainless Tailpiece
- Maximum Gap Between Grate Bars of 13/16"
- Maximum Space Between Reinforcement Rods of 6"

TROUGH MATERIAL OPTIONS

- 12-Gauge Brushed Finish Stainless
- Type 316 Stainless

TROUGH FINISH OPTIONS

- Sand Blast
- Mirror Polished

GRATE TYPE OPTIONS

- 3/16" x 1" Stainless Subway Grate
- 1/4" x 1" Stainless Subway Grate
- Anti-Slip Fiberglass Grating
- Custom Bar Centerlines: Dimensions _____
- Type 316 Stainless

MODELS AND DIMENSIONS

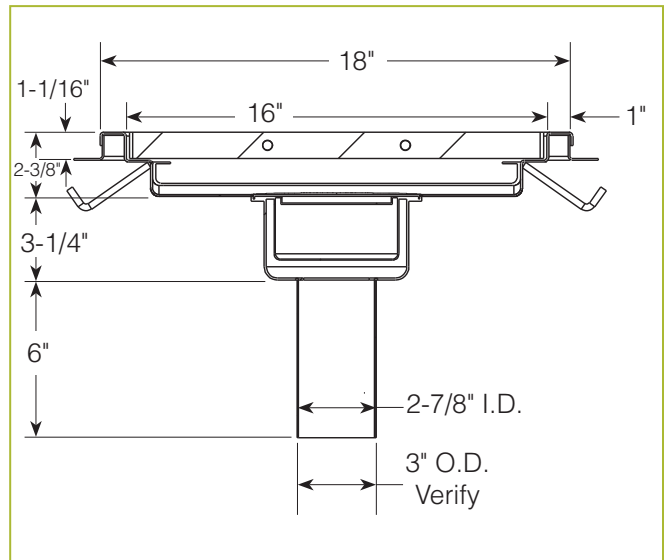
Sizes WxL	24"	36"	48"	60"	72"	84"	96"	108"	120"
12"	FTS-1224	FTS-1236	FTS-1248	FTS-1260	FTS-1270	FTS-1284	FTS-1296	FTS-12108	FTS-12120
18"	FTS-1824	FTS-1836	FTS-1848	FTS-1860	FTS-1872	FTS-1884	FTS-1884	FTS-18108	FTS-18120
24"	FTS-2424	FTS-2436	FTS-2448	FTS-2460	FTS-2472	FTS-2484	FTS-2484	FTS-24108	FTS-24120
30"	FTS-3024	FTS-3036	FTS-3048	FTS-3060	FTS-3072	FTS-3084	FTS-3084	FTS-30108	FTS-30120

* Approval Drawings Required

Specifications subject to change without notice.

FTS

Shallow Floor Trough



OTHER OPTIONS

- Off-Center Drain
- Extended Drain Pan Without Grate (see model FTDP)
- 1/4" Stainless Rod J-Anchors Around Trough Exterior

GENERAL INFORMATION

Project Name: _____
Item: _____
Quantity: _____
Model: FTDP
Length: _____

GENERAL SPECIFICATION

Materials

- 14-Gauge Brushed Finish Type 304 Stainless
- 6" Diameter Box Pattern Stainless Drain
- Removable Perforated Stainless Basket
- 1/8" x 1" Type 304 Stainless Subway Grate with 3/8" Stainless Reinforcement Rods (minimum of 2)

Construction

- NSF Standard 2 Construction
- Coved Corner Pan
- True Positive Pitch Toward Drain
- 3-15/16" I.D. 6" Long Stainless Tailpiece
- Maximum Gap Between Grate Bars of 13/16"
- Maximum Space Between Reinforcement Rods of 6"

TROUGH MATERIAL OPTIONS

- 12-Gauge Brushed Finish Stainless
- Type 316 Stainless

TROUGH FINISH OPTIONS

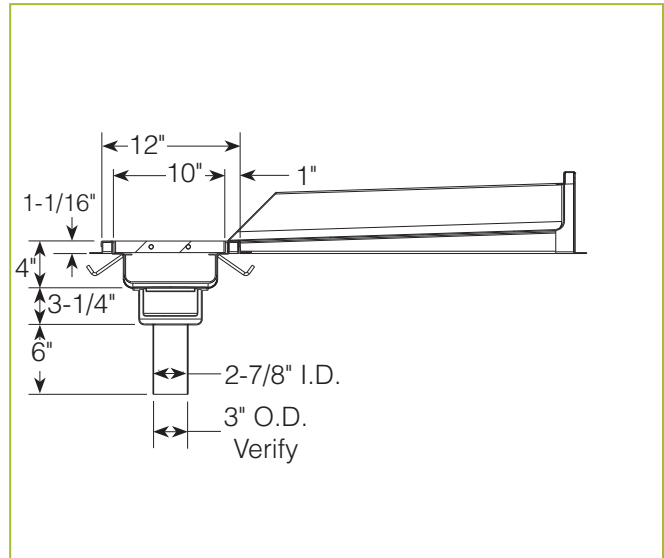
- Sand Blast
- Mirror Polished

GRATE TYPE OPTIONS

- 3/16" x 1" Stainless Subway Grate
- 1/4" x 1" Stainless Subway Grate
- Anti-Slip Fiberglass Grating
- Custom Bar Centerlines: Dimensions _____
- Type 316 Stainless

FTDP

Floor Trough with Integral Drain Pan



OTHER OPTIONS

- Off-Center Drain
- Extended Drain Pan Without Grate (see model FTDP)
- 1/4" Stainless Rod J-Anchors Around Trough Exterior

* Approval Drawings Required

GENERAL INFORMATION

Project Name: _____
Item: _____
Quantity: _____
Model: _____ FTD _____
Length: _____

GENERAL SPECIFICATION

Materials

- 14-Gauge Brushed Finish Type 304 Stainless
- 6" Diameter Box Pattern Stainless Drain
- Removable Perforated Stainless Basket
- 12 Gauge Brushed Finish Perforated Cover with Two 1/2" Center Drain Hole

Construction

- NSF Standard 2 Construction
- Covered Corner Pan
- 3-15/16" I.D. 6" Long Stainless Tailpiece

TROUGH MATERIAL OPTIONS

- 12-Gauge Brushed Finish Stainless
- Type 316 Stainless

TROUGH FINISH OPTIONS

- Sand Blast
- Mirror Polished

GRATE TYPE OPTIONS

- 1/8" x 1" Stainless Subway Grate
- 3/16" x 1" Stainless Subway Grate
- 1/4" x 1" Stainless Subway Grate
- Anti-Slip Fiberglass Grating
- Custom Bar Centerlines: Dimensions _____
- Type 316 Stainless

MODELS AND DIMENSIONS

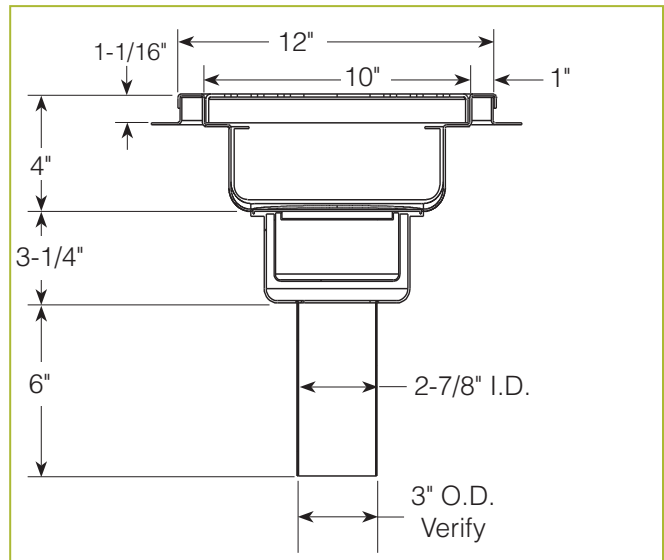
Sizes WxL	12"
12"	FTD-1212

* Approval Drawings Required

Specifications subject to change without notice.

FTD

Floor Trough Drain



OTHER OPTIONS

- 1/4" Stainless Rod J-Anchors Around Trough Exterior

GENERAL INFORMATION

Project Name: _____
Item: _____
Quantity: _____
Model: _____
Length: _____

GENERAL SPECIFICATION

Materials

- 14-Gauge Brushed Finish Type 304 Stainless
- 6" Diameter Box Pattern Stainless Drain
- Removable Perforated Stainless Basket
- 12-Gauge Brushed Finish Perforated Cover with Two 1/2" Center Drain Hole

Construction

- NSF Standard 2 Construction
- Coved Corner Pan
- 3-15/16" I.D. 6" Long Stainless Tailpiece

GRATING

Grating



Subway Grating

